

PW CARD (RLL)
POS. DEMOD

REVISION: R1

DATE: 10/15/80

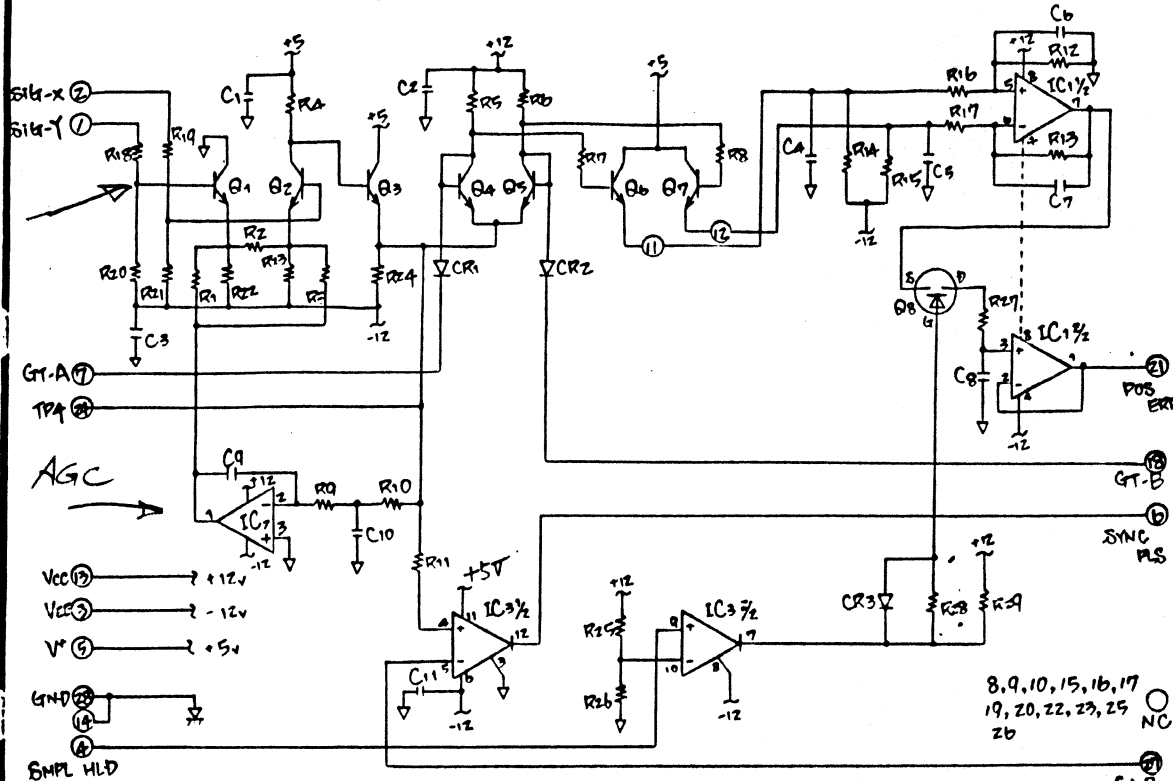
BY: [Signature]

POS. DEMOD

APPLE COMPUTER INC.

HBC

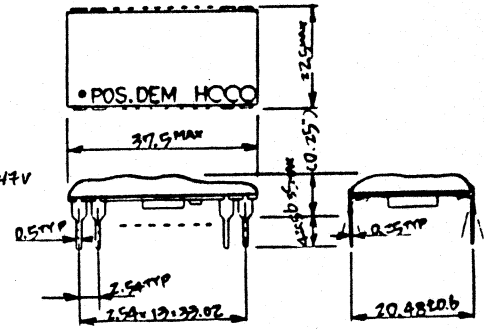
1. SCHEMATIC



Part No	Specification
IC1,2	NIM558M or AN653B
IC3	NJM319M or MPC319G or TL820CNS
B1,2,7	2SC1673 or 2SC2712
C10	330PF, J, 25V CH (±50ppm/°C)
C1,2,3,11	0.1µF, Z, 25V F(±20%)
C8	0.01µF, M, 25V B(±5%)
C4,9	510PF, J, 25V CH(±50ppm/°C)
C9	0.001µF, M, 25V B(±5%)
CR	2SK274 P.A.R. or 2SK402
CR1,2,3	RLS12 or MA151K or 1SS193

3. CONFIGURATION & DIMENSIONS

form: 28pin DIP



2. ELEMENT RATINGS

RNO	Resistance	Tolerance	Power	RNO	Resistance	Tolerance	Power	RNO	Resistance	Tolerance	Power
R1	6.8 kΩ	±5%	1/8 w	R13	51.1 kΩ	±1%	1/8 w	R25	10 kΩ	±5%	1/8 w
R2	510 Ω	±1%		R14	390 kΩ	±5%		R26	2 kΩ		
R3	6.8 kΩ	±5%		R15	390 kΩ			R27	3.9 kΩ		
R4	681 Ω	±1%		R16	24.3 kΩ	±1%		R28	15 kΩ		
R5	6.8 kΩ	±5%		R17	24.3 kΩ			R29	10 kΩ		
R6	6.8 kΩ			R18	1.5 kΩ						
R7	390 Ω			R19	1.5 kΩ						
R8	390 Ω			R20	1.5 kΩ						
R9	10 kΩ			R21	1.5 kΩ						
R10	10 kΩ			R22	1 kΩ						
R11	1 kΩ			R23	1 kΩ						
R12	51.1 kΩ	±1%		R24	1 kΩ	±5%	1/4 w				

Note: All of T.C.R. is 200ppm/°C

- 1) Apple Part Number : POS.DEM
- 2) Pin Number "1" Designation : •
- 3) Manufacturer's name and Date code : H O O O
your work

Unit: mm